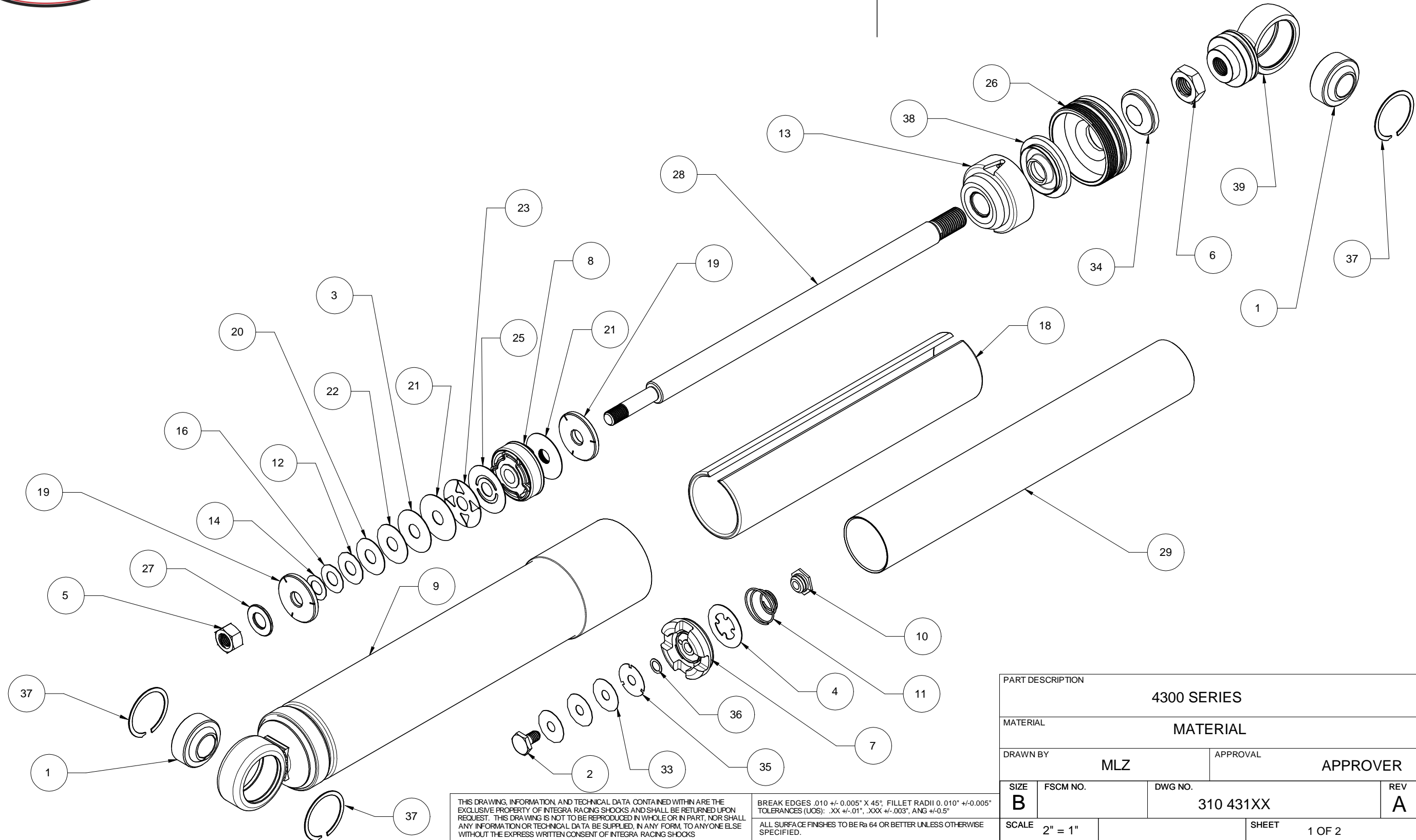




REVISIONS				
ZONE	REV	DESCRIPTION	DATE	APPROVED
	A	RELEASED	20-MAY-2010	



THIS DRAWING, INFORMATION AND TECHNICAL DATA CONTAINED WITHIN ARE THE EXCLUSIVE PROPERTY OF INTEGRA RACING SHOCKS AND SHALL BE RETURNED UPON REQUEST. THIS DRAWING IS NOT TO BE REPRODUCED IN WHOLE OR IN PART, NOR SHALL ANY INFORMATION OR TECHNICAL DATA BE SUPPLIED, IN ANY FORM, TO ANYONE ELSE WITHOUT THE EXPRESS WRITTEN CONSENT OF INTEGRA RACING SHOCKS

BREAK EDGES .010 +/- 0.005" X 45° FILLET RADIUS 0.010" +/- 0.005"  
 TOLERANCES (UNLESS OTHERWISE SPECIFIED): .XX +/- .01", .XXX +/- .003", ANG +/- 0.5°  
 ALL SURFACE FINISHES TO BE Ra 64 OR BETTER UNLESS OTHERWISE SPECIFIED.

PART DESCRIPTION		4300 SERIES		
MATERIAL		MATERIAL		
DRAWN BY		MLZ	APPROVAL	
SIZE		DWG NO.		REV
B		310 431XX		A
SCALE		SHEET		
2" = 1"		1 OF 2		



REVISIONS				
ZONE	REV	DESCRIPTION	DATE	APPROVED

Item Number	Part Number	Part Name
1	310 30327	Spherical Bearing
2	310 43205	Bolt, Compression Check
3	310 MVD945XXX	Main Valve Disc - .945 Dia. - Specify Thickness
4	310 43204	Intake Valve Disc, Comp
5	310 30216	Piston Nut
6	310 30377	7/16" - Jam Nut
7	SPECIFY	Cylinder End
8	310 43201	Piston
9	310 43220 OR 43221	Reserve Tube - Specify 7in OR 9in
10	310 43206	Nut, Compression Check
11	310 43207	Compression Intake Spring
12	310 MVD71XXX	Main Valve Disc - .710 Dia. - Specify Thickness
13	310 43232	Rod Guide Assembly
14	310 43MVD55XXX	Main Valve Disc - .550 Dia. - Specify Thickness
16	310 43MVD63XXX	Main Valve Disc - .630 Dia. - Specify Thickness
18	310 43229	Gas Cell
19	310 43202	Support Washer, Piston

Item Number	Part Number	Part Name
20	310 43MVD805XXX	Main Valve Disc - .805 Dia. - Specify Thickness
21	310 MVD102XXX	Main Valve Disc - 1.020 Dia. - Specify Thickness
22	310 MVD865XXX	Main Valve Disc - .865 Dia. - Specify Thickness
23	310 43236-X.X	Bleed Disc, Piston - Specify Bleed
25	310 43200	Disc, Toilet Seat
26	310 43231	Rod Guide Cap - Locking Ring
27	310 30217	Piston Post Washer
28	310 43237 OR 43239	Piston Rod - Specify 7in OR 9in
29	310 43245 OR 43246	310 43245_Pressure Tube - Specify 7in OR 9in
33	310 43226-XX	Base Valve Disc - Specify Bleed
34	310 43228	Travel Indicator
35	310 43235-X.X	Base Valve Bleed Disc - Specify Bleed
36	310 43227-XX	Base Valve Deload Disc - Specify Thickness
37	310 30328	Retaining Ring, Spherical Bearing
38	310 43233	Oil Seal
39	310 30224	Rod End

PART DESCRIPTION			
4300 SERIES PARTS LIST			
MATERIAL			
MATERIAL			
DRAWN BY		APPROVAL	
MLZ		APPROVER	
SIZE	FSCM NO.	DWG NO.	REV
B		310 431XX	A
SCALE		SHEET	
2" = 1"		2 of 2	

THIS DRAWING, INFORMATION AND TECHNICAL DATA CONTAINED WITHIN ARE THE EXCLUSIVE PROPERTY OF INTEGRA RACING SHOCKS AND SHALL BE RETURNED UPON REQUEST. THIS DRAWING IS NOT TO BE REPRODUCED IN WHOLE OR IN PART, NOR SHALL ANY INFORMATION OR TECHNICAL DATA BE SUPPLIED, IN ANY FORM, TO ANYONE ELSE WITHOUT THE EXPRESS WRITTEN CONSENT OF INTEGRA RACING SHOCKS

BREAK EDGES .010 +/- 0.005" X 45°; FILLET RADII 0.010" +/- 0.005"  
 TOLERANCES (UNLESS OTHERWISE SPECIFIED): .XX +/- .01", .XXX +/- .003", ANG +/- 0.5°  
 ALL SURFACE FINISHES TO BE Ra 64 OR BETTER UNLESS OTHERWISE SPECIFIED.