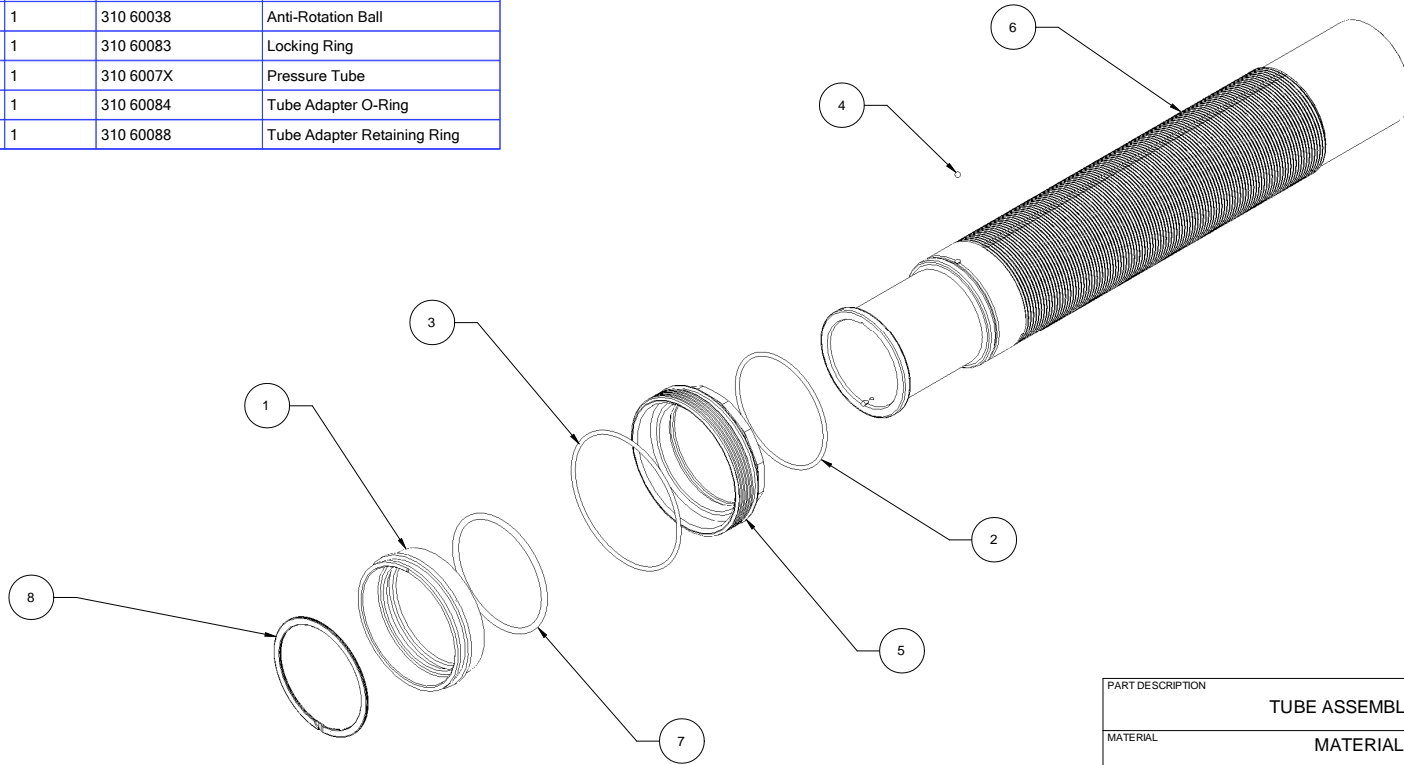




Item Number	Quantity	Part Number	Part Name
1	1	310 60082	Tube Adapter
2	1	310 60092	Locking Ring Inner O-Ring
3	1	310 60093	Locking Ring Outer O-Ring
4	1	310 60038	Anti-Rotation Ball
5	1	310 60083	Locking Ring
6	1	310 6007X	Pressure Tube
7	1	310 60084	Tube Adapter O-Ring
8	1	310 60088	Tube Adapter Retaining Ring

REVISIONS				
ZONE	REV	DESCRIPTION	DATE	APPROVED
	A	RELEASED	18-MAY-2009	



PART DESCRIPTION			
TUBE ASSEMBLY			
MATERIAL			
MATERIAL			
DRAWN BY		APPROVAL	
MLZ		APPROVER	
SIZE	FSCM NO.	DWG NO.	REV
B		310 6007X-50	A
SCALE			SHEET
1" = 2"			

THIS DRAWING, INFORMATION, AND TECHNICAL DATA CONTAINED WITHIN ARE THE EXCLUSIVE PROPERTY OF INTEGRA RACING SHOCKS AND SHALL BE RETURNED UPON REQUEST. THIS DRAWING IS NOT TO BE REPRODUCED IN WHOLE OR IN PART, NOR SHALL ANY INFORMATION OR TECHNICAL DATA BE SUPPLIED IN ANY FORM TO ANYONE ELSE WITHOUT THE EXPRESS WRITTEN CONSENT OF INTEGRA RACING SHOCKS.

BREAK EDGES .010 +/- 0.005" X 45°; FILLET RADIUS 0.010" +/- 0.005"
 TOLERANCES (UNLESS OTHERWISE SPECIFIED):
 FRACTIONS: .XX +/- .01", .XXX +/- .005", ANG +/- 0.5°
 ALL SURFACE FINISHES TO BE Ra 64 OR BETTER UNLESS OTHERWISE SPECIFIED.

310 6007X-50_TUBE ASSEMBLY